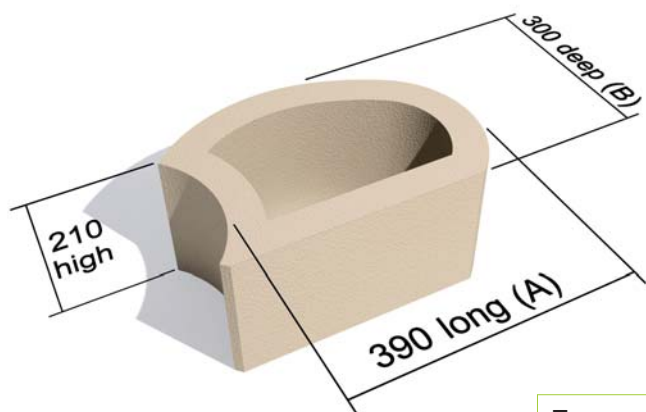
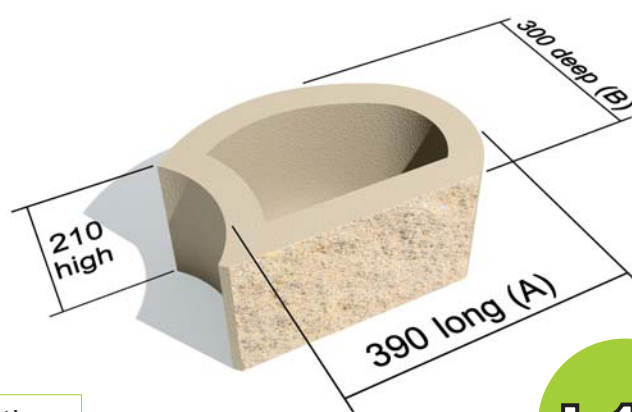


# TERRAFORCE®

The original, reversible, hollow core retaining block



L12 STANDARD

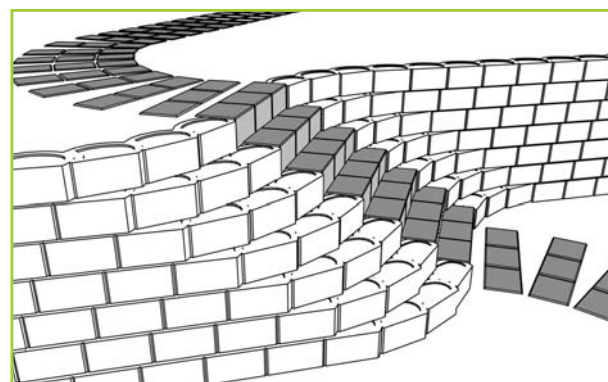


L12 ROCKFACE

For variations check with your local supplier.

**L12**

Block	L12
Blocks/m <sup>2</sup> (Measured vertically)	12
Block mass/kg	24
Block infill volume/ m <sup>3</sup>	0.011
Average constructed mass kg per m <sup>2</sup> of wall	470
Block wall thickness mm	45-50



LIGHT GRAVITY WALL

HEAVY GRAVITY WALL

**COMPOSITE RETAINING WALL (EARTH REINFORCED WITH GEOGRID)**